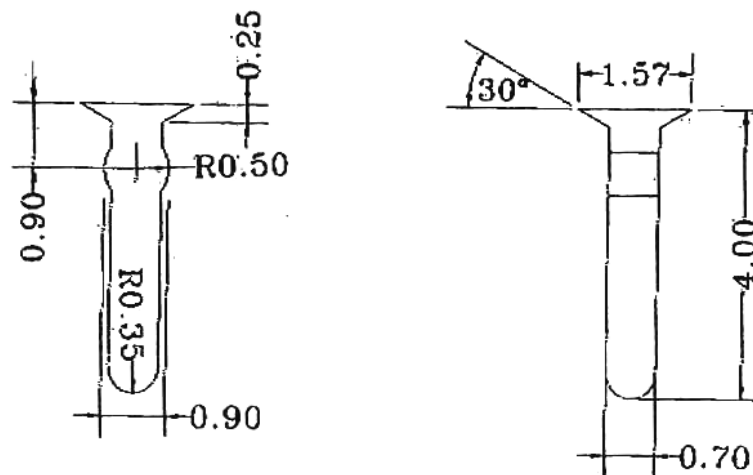


SCALE:2/1



SCALE:10/1

玄茂科技股份有限公司  
HSUAN MAO TECHNOLOGY CO., LTD.

UNIT

SCALE

PART NAME

MM

2:1

IDC Socket 2.54-Key

APPD.

CKD.

TOLERANCE

PART NO.

REV.

制表日:2002/12/04

DRAWING.

APPROVED

±0.2

C3001-KAX00000

A

kevin